



## SLIGHT & MODERN DESIGN

Developed for discerning campers, the VELO, VARIO and LIGERO models offer numerous advantages for more comfortable travelling. They impress with their sleek, contemporary design. The black-coated elements give them a modern and appealing look that is not only practical but also aesthetically pleasing. The new carrier systems are the ideal choice for anyone who values functionality, design and flexibility.

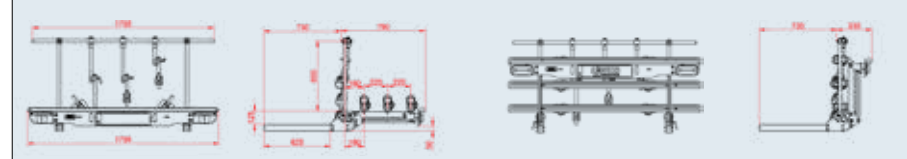
- | Payload up to:  
VARIO/LIGERO 150 kg  
VELO 80 kg
- | Telescopic as standard:  
LIGERO: from 600 - 930 mm  
VARIO: from 620 - 800 mm
- | Transport platform VELO/VARIO:  
foldable; light carrier folds automatically
- | Bicycle rails and support arms with ratchet quick-release fastener
- | With EC type approval
- | Many transport options
- | Can be removed without tools
- | Incl. standard mounting elements
- | Also available with LED lighting

Frame extensions or reinforcements may be required.  
\*Own weight incl. set-up kit, without mounting elements and frame extensions or reinforcements.  
\*\*Without electric cable set, incl. standard mounting elements for frame connection.

## VELO / VARIO / LIGERO AT A GLANCE

### TECHNICAL INFORMATION, FRAME SETS, WEIGHTS & PRICES

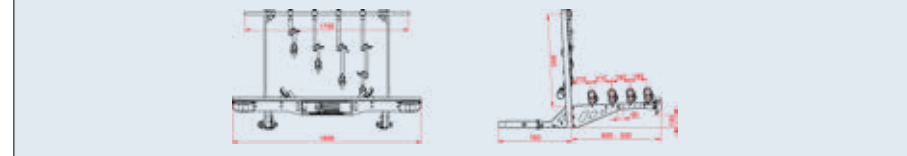
Article description	Weight in kg*	Item no.	Price in €**
VELO for 2 Bicycles oder 2 E-Bikes	24	1888852	1279,-
VELO for 3 Bicycles	26	1888853	1369,-
VELO for 2 bicycles or 2 e-bikes with LED lighting	24	1888862	1399,-
VELO for 3 Bicycles with LED lighting	26	1888863	1489,-
Access ramp for bicycles incl. 3 x holders		1883340	99,-



Article description	Weight in kg*	Item no. Lighting / Price in €*			
		Standard		LED	
VARIO for 2 Bicycles	32	1883282	1599,-	1889032	1719,-
VARIO for 3 Bicycles	34	1883283	1689,-	1889033	1809,-
VARIO for 4 Bicycles	37	1883284	1779,-	1889034	1899,-
VARIO for 1 Scooter	38	1883285	1599,-	1889030	1719,-
VARIO for 1 Scooter + 1 Bicycle	41	1883286	1689,-	1889035	1809,-
VARIO for 1 Scooter + 2 Bicycles	43	1883287	1779,-	1889036	1899,-
VARIO for 1 Fat Bike + 1 Bicycle	35	1883312	1669,-	1889037	1819,-
VARIO for 2 Fat Bikes	37	1883313	1739,-	1889038	1859,-
VARIO for 2 Fat Bikes + 1 Bicycle	39	1883314	1829,-	1889039	1949,-
VARIO for 1 Trike / Tricycle	33	1883315	1689,-	1889031	1809,-



LIGERO for 2 Bicycles	27	1883272	1349,-	1889012	1469,-
LIGERO for 3 Bicycles	31	1883273	1439,-	1889013	1559,-
LIGERO for 4 Bicycles	34	1883274	1529,-	1889014	1649,-
LIGERO for 1 Scooter	35	1883275	1349,-	1889010	1469,-
LIGERO for 1 Scooter + 1 Bicycle	38	1883276	1439,-	1889015	1559,-
LIGERO for 1 Scooter + 2 Bicycles	41	1883277	1529,-	1889016	1649,-
LIGERO for 1 Fat Bike + 1 Bicycle	29	1883293	1419,-	1889017	1539,-
LIGERO for 2 Fat Bikes	31	1883294	1489,-	1889018	1609,-
LIGERO for 2 Fat Bikes + 1 Bicycle	36	1883295	1579,-	1889019	1699,-
LIGERO for 2 Fat Bikes + 2 Bicycles	38	1883296	1669,-	1889020	1789,-
LIGERO for 1 Trike/Tricycle	30	1883297	1439,-	1889011	1559,-



Access ramps	Item no.	Price in €**
Access ramp for bicycle rail 1750 mm, incl. 4 x holders for VARIO and LIGERO	1883290	99,-
Ramp for fat bikes, incl. holder for VARIO and LIGERO	1883335	129,-



### ALOIS KOBER GMBH SAWIKO branch

Ringstraße 3  
49434 Neuenkirchen-Vörden  
Tel: +49 5493 - 99 220  
E-Mail: info@sawiko.de  
**www.sawiko.com**

Member of **DECKO**  
GLOBAL

We reserve the right to make changes in the interest of technical progress.  
Liability for errors and misprints excluded. Prices incl. VAT. Issue 12/2024

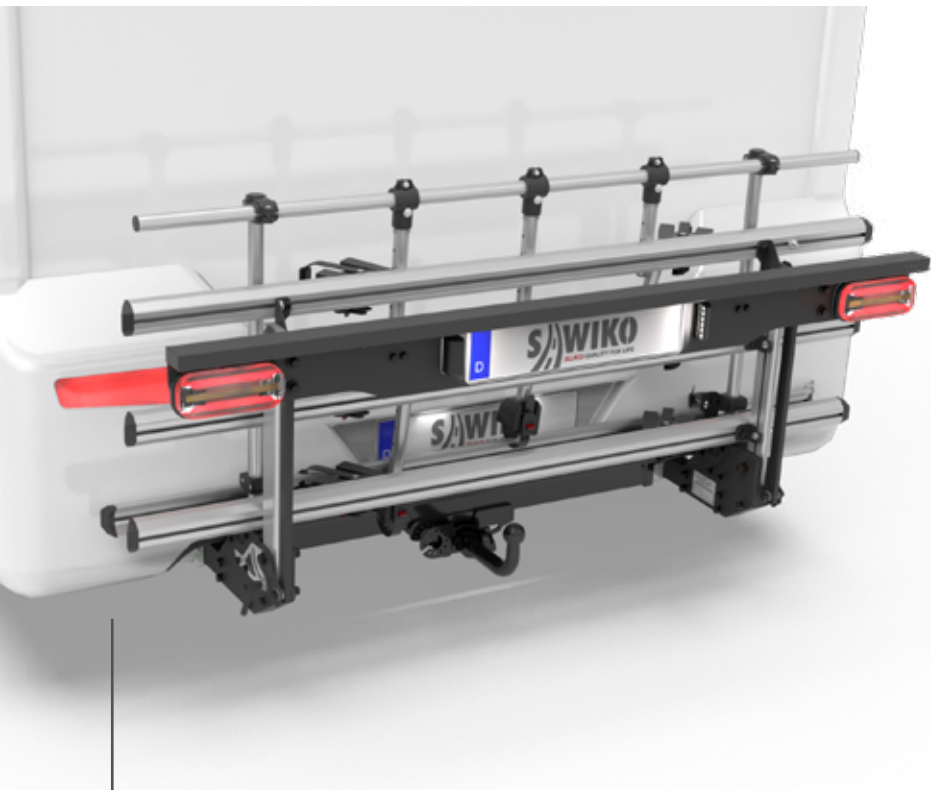
# DESIGN MEETS COMFORT

UPGRADE FOR THE CLASSICS  
**VELO / VARIO / LIGERO**



# VELO

MAXIMUM COMFORT - MODERN DESIGN



## LIGHTNESS COMBINED WITH STABILITY

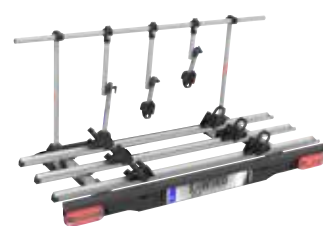
Despite its lightweight design, the VELO is very stable. The high payload of max. 80 kg is sufficient to safely transport up to 3 bicycles or e-bikes safely.

Experience maximum comfort, lightness, quality and modern design with the VELO bike carrier.



## MORE COMFORT THROUGH SIMPLE OPERATION

The transport platform of the VELO and VARIO can be folded up effortlessly. This saves space when not in use. Thanks to the new folding mechanism, the light carrier folds up automatically.



3 Bicycles



2 Bicycles or e-bikes



Max. 4 Bicycles



Max. 1 Scooter + 2 Bicycles



Max. 2 Fat Bikes

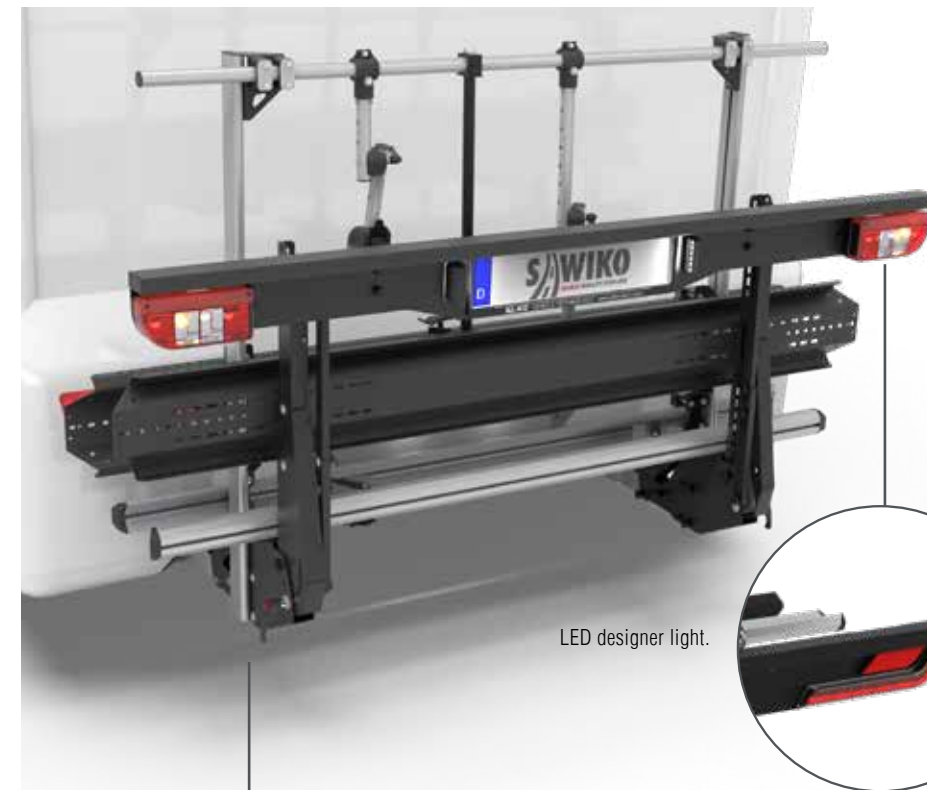


Max. 1 Tricycle

# VARIO

COMPACT, FOLDABLE & VARIABLE

**NEW!** VARIO + LIGERO with modern LED designer lights.



LED designer light.

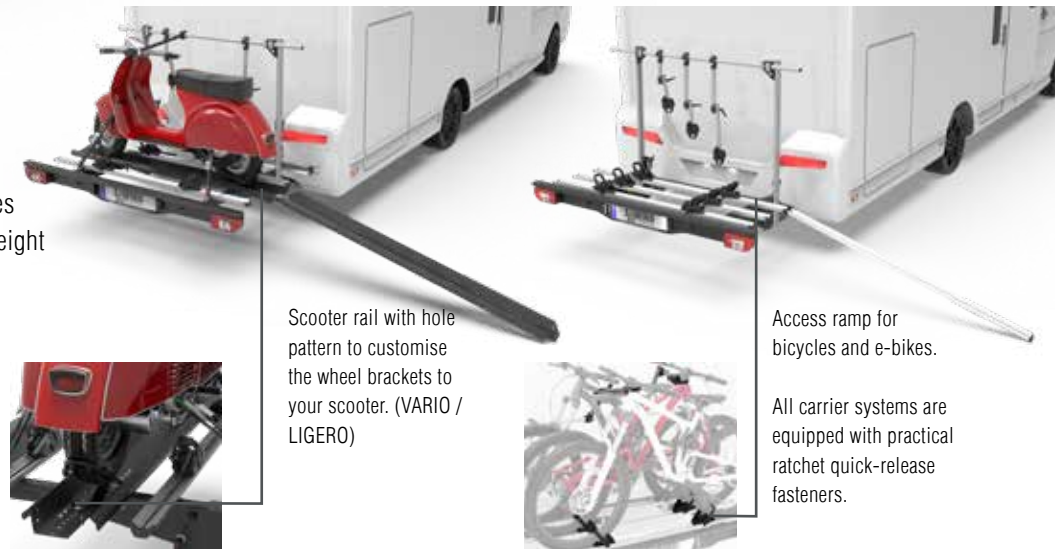
## FLEXIBLE & FUNCTIONAL

The VARIO - the perfect combination of modern design, simple operation and maximum flexibility. It impresses with its variable loading depth, which can be extended from 620 mm to up to 800 mm, thus offering even more options. In addition to the tried and tested set-up kits for bicycles and scooters, special set-up kits for fat bikes and tricycles are also available.

Ideal for all those who value quality and comfort.

## PERFECTLY SECURED EASY TO LOAD

Ratchet quick-release fasteners on arms and bike rails secure your bicycles by hand turn round. The low loading height and the optionally available drive-on ramps make loading and unloading is child's play. Ideal for heavy e-bikes, fat bikes or scooters.



Scooter rail with hole pattern to customise the wheel brackets to your scooter. (VARIO / LIGERO)

Access ramp for bicycles and e-bikes.

All carrier systems are equipped with practical ratchet quick-release fasteners.

# LIGERO

THE CLASSIC IN THE NEXT GENERATION



LED designer light.

## VERSATILE LIGHTWEIGHT WITH HIGH PAYLOAD

The latest generation of the LIGERO replaces the tried and tested LIGERO III, combining a tare weight that is approx. 5 kg lighter with an impressive payload of 150 kg.

The LIGERO is the ideal choice for anyone who values functionality, design, flexibility and quality.

## MAXIMUM FLEXIBILITY

An outstanding feature of the LIGERO is its telescoping capability from 600 to 930 mm as standard. This means that the load carrier can be flexibly adapted to your needs and offers even more application options.



Max. 1 Scooter + 2 Bicycles



Max. 2 Fat Bikes



Max. 4 Bicycles

The access ramp for scooters is securely attached to the carrier. No wasted space in your rear garage.